



All information contained herein applies only to the above listed part number. Other versions of this part number with electrical or mechanical variations are available. Contact CUI Inc. for further assistance. 9615 SW Allen Blvd., Ste. 103, Beaverton OR 97005  
800-275-4899 • 503-643-4899 • Fax: 503-643-6129 • [www.cui.com](http://www.cui.com)

## Features

- Interchangeable AC plug
- Universal input: 90~264VAC
- Continuous short circuit protection
- Conductive EMI meets CISPR/FCC Class B
- High efficiency: 75% typical



## General

Output voltage	9V
Max. load	1100mA
Min. load	0A
Ripple & noise	1%
Voltage accuracy	±2%
Line regulation	±1%
Load regulation	±2%

## Input

Input Voltage Range	90~264VAC
Frequency	47~63Hz
Input current	0.4A max
Inrush current	30A max @ 264VAC

## Output

Hold-up time	10mS typ. ~115VAC
Short-circuit protection	continuous (auto-recovery)
Over-current protection	constant current type

## Environmental

Operating temperature	0~40°C
Storage temperature	-20~85°C

## Mechanical

Dimensions	72x46x35 mm <sup>3</sup> (2.83x1.81x1.38")
Weight	130g (0.29 lbs)

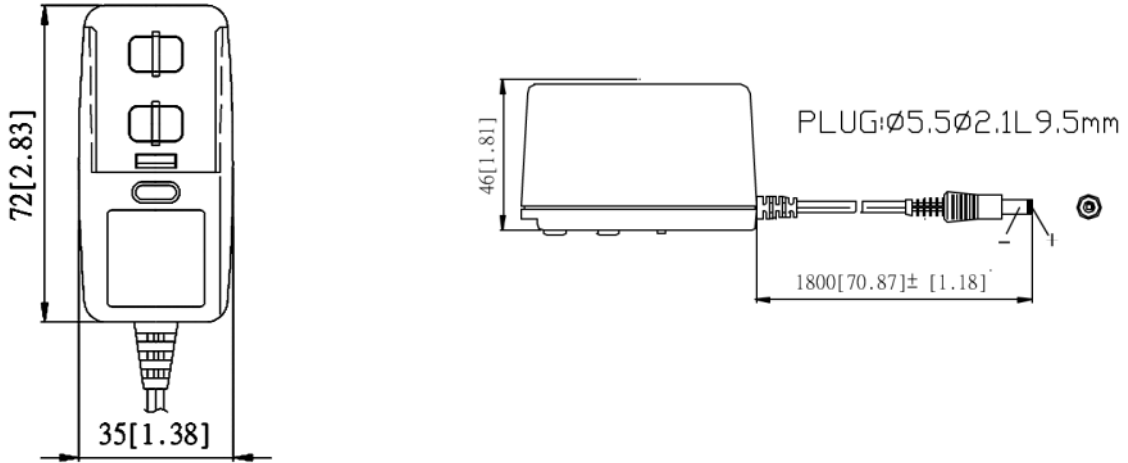
### Notes:

1. Typical at 25°C, nominal line, and 75% load, unless otherwise specified.
2. Voltage set point is at 60% load.
3. Add a 0.1uF ceramic capacitor and a 10uF E.L. capacitor to output for ripple & noise measuring @20MHz BW.
4. Line regulation measured from 100VAC to 240VAC, full load.
5. Load regulation measured from 60% to full load and from 60% to 20% load (60% ± 40% load)



All information contained herein applies only to the above listed part number. Other versions of this part number with electrical or mechanical variations are available. Contact CUI Inc. for further assistance. 9615 SW Allen Blvd., Ste. 103, Beaverton OR 97005  
 800-275-4899 • 503-643-4899 • Fax: 503-643-6129 • www.cui.com

**Case Dimensions**



**Plug Dimensions**

